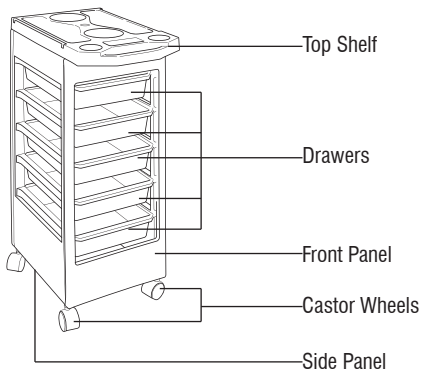




- 1. Clip the two side panels into the front panel. Ensure it clips in all the way.**
- 2. Attach the back panel, ensuring it clips in securely.**
- 3. Turn the trolley upside down and press the wheels into the bottom of the frame. Ensure that all the wheels are pressed in securely.**
- 4. Turn the trolley the right way up. Slide in the draws.**
- 5. Place the top rack on tip of the trolley, ensuring it clips in place**



1YEAR
WARRANTY

Model:
ZC5015

PLEASE READ ALL INSTRUCTIONS BEFORE USE