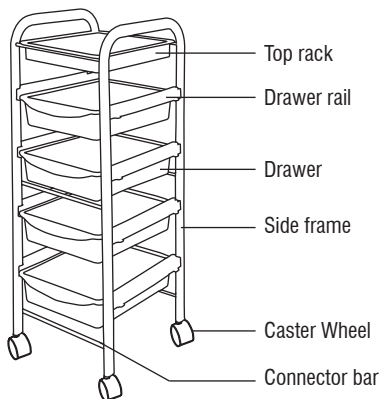




- 1. Join the side frames by screwing in the metal connector bars. (3 on either side)**
- 2. Attach the drawer rails. The drawer rails attaches to the frame with a screw on either end of the rail.**
- 3. Insert the wheels by firmly pressing them in at the base of the trolley.**
- 4. Insert the drawers by sliding them in along the rails.**
- 5. Place the top rack on tip of the trolley, ensuring it clips in place**



1 YEAR  
WARRANTY

Model:  
ZC420A

PLEASE READ ALL INSTRUCTIONS BEFORE USE