

Lucky[®]

LIFESTYLE



STAINLESS STEEL KETTLE

complies with
INTERNATIONAL
IEC60335
SAFETY SPECIFICATIONS

L
1500-1800W

1YEAR
WARRANTY

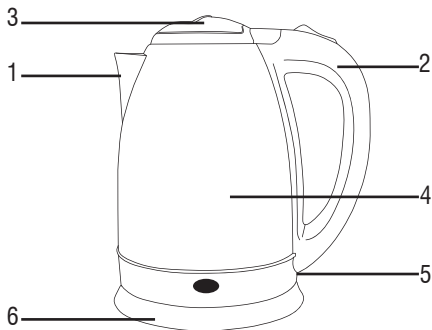
Model:
LCK180SSA

PLEASE READ ALL INSTRUCTIONS BEFORE USE



Dear customer,

Thank you for choosing to purchase a Lucky brand product. Thanks to its technology, design and operation and the fact that it exceeds the strictest quality standards, a fully satisfactory use and long product life can be assured.



1. Parts description

1. Spout
2. Handle
3. Lid
4. Body
5. ON/OFF Switch
6. Cordless base

2. Safety advice and warnings!

Read these instructions carefully before switching on the appliance and keep them for future reference. Failure to follow and observe these instructions could lead to an accident. Clean all the parts of the product that will be in contact with food, as indicated in the cleaning section, before use.

2.1. Use or working environment:

- 2.1.1. Keep the working area clean and well lit. Cluttered and dark areas invite accidents.
- 2.1.2. Use the appliance in a well ventilated area.
- 2.1.3. Do not place the appliance on hot surfaces, such as cooking plates, gas burners, ovens or similar items.
- 2.1.4. Keep children and bystanders away when using this appliance.
- 2.1.5. Place the appliance on a horizontal, flat, stable surface suitable for withstanding high temperatures and away from other heat sources and contact with water.

2.1.6. Keep the appliance away from flammable material such as textiles, curtains, cardboard or paper, etc.

2.1.7. Do not place flammable material near the appliance.

2.1.8. Do not use the appliance in association with a programmer, timer or other device that automatically switches it on.

2.1.9. Do not use the appliance if the cable or plug is damaged.

2.1.10. Ensure that the voltage indicated on the rating label matches the mains power supply voltage before plugging in the appliance.

2.1.11. Connect the appliance to the mains power supply with an earth socket withstanding a minimum of 10 amperes.

2.1.12. The appliance's plug must fit into the mains power supply socket properly. Do not alter the plug.

2.1.13. If using a multi plug check ratings carefully as the current used by several appliances could easily exceed the rating of the multi plug.

2.1.14. If any of the appliance casings breaks, immediately disconnect the appliance from the mains power supply to prevent the possibility of an electric shock.

2.1.15. Do not use the appliance if it has fallen on the floor or if there are visible signs of damage.

2.1.16. Do not force the power cord. Never use the power cord to lift up, carry or unplug the appliance.

2.1.17. Do not wrap the power cord around the appliance.

2.1.18. Do not clip or crease the power cord.

2.1.19. Do not allow the power cord to hang or to come into contact with the hot surfaces of the appliance.

2.1.20. Check the state of the power cord. Damaged or tangled cables increase the risk of electric shock.

2.1.21. The appliance is not suitable for outdoor use.

2.1.22. Power cord should be regularly examined for signs of damage, and if the cord is damaged, the appliance must not be used.

2.1.23. Do not touch the plug with wet hands.

2.2. Personal safety:

- 2.2.1. CAUTION: Do not leave the appliance unat-



tended during use as there is a risk of an accident.

2.2.2. Do not touch the heated parts of the appliance, as it may cause serious burns.

2.2.3. This appliance is only for domestic use, not for industrial or professional use. It is not intended to be used by guests in hospitality environments such as bed and breakfast, hotels, motels, and other types of residential environments, even in farm houses, areas of the kitchen staff in shops, offices and other work environments.

2.2.4. This appliance is not intended for use by persons (including children) with reduced physical, sensory or mental capabilities, or lack of experience and knowledge, unless they have been given supervision or instruction concerning use of the appliance by a person responsible for their safety.

2.2.5. This appliance is not a toy. Children should be supervised to ensure that they do not play with the appliance.

2.3. Use and care:

2.3.1. Fully unroll the appliance's power cable before each use.

2.3.2. Do not use the appliance if the parts or accessories are not properly fitted.

2.3.3. Do not use the appliance when empty.

2.3.4. Do not turn the appliance over while it is in use or connected to the mains power supply.

2.3.5. Do not cover the cooking surface or food with aluminium foil and other similar materials.

2.3.6. Unplug the appliance from the mains power supply when not

in use and before undertaking any cleaning task.

2.3.7. This appliance should be stored out of reach of children.

2.3.8. Do not store the appliance if it is still hot.

2.3.9. Never leave the appliance unattended when in use and keep out of the reach of children.

2.3.10. If, for some reason, the appliance were to catch fire, disconnect the appliance from the mains power supply and **DO NOT USE WATER TO PUT THE FIRE OUT.**

2.4. Service:

2.4.1. Make sure that the appliance is serviced only by suitably qualified technician, and that only original spare parts or accessories are used to replace existing parts/accessories.

2.4.2. If the power cord is damaged, the manu-

facturer or its service agent or a similarly qualified person must

replace it in order to avoid a hazard.

2.4.3. Any misuse or failure to follow the instructions for use renders the guarantee and the manufacturer's liability null and void.

3. Instructions for use

3.1. Before use:

3.1.1. Remove the appliance's protective film (if applicable).

3.1.2. Before using the product for the first time, clean the parts that will come into contact with food in the manner described in the cleaning section.

3.2 Use and care:

3.2.1. Open the lid of the kettle, fill with tap water to the desired level. In hard water areas, using purified or filtered water is recommended to reduce the amount of scale build up in the kettle. (Note: You may also fill through the spout, but be careful not to overfill).

3.2.2. Close the lid until it clips. Place the kettle on the base and plug into the mains.

3.2.3. To switch on the kettle, press the On/Off switch to position 1. (CAUTION: Do not place downward pressure on the switch). When the water has boiled the kettle will automatically switch off. You can stop the kettle at any time by pressing the On/Off switch to position 0.

3.2.4. Pour slowly and carefully. If you wish to re-boil, please allow a minute for the kettle to cool down.

3.2.5 **Warning:** If the kettle has just boiled it will be full of steam that will escape if the lid is opened.

3.2.6 **IMPORTANT:** Do not open the lid when steam is coming out of the spout. Before pouring or filling always remember to disconnect from electricity.

3.2.7 **Note:** If the kettle is switched on when empty or with insufficient water, then the kettle will switch off automatically to protect against dry boiling. Wait ± 15 minutes until the heating element cools down, refill with tap water and use as normal. This protection function is not designed for regular use, as it will shorten the life of the element. If the kettle is overfilled, boiling water may be ejected. The kettle is only to be used with the stand provided (cordless models only). The appliance must not be immersed in liquid during cleaning. If the supply cord is damaged,





the manufacturer or its service agent or a similarly qualified person must replace it in order to avoid a hazard.

4. Cleaning and Maintenance

4.1.1. DESCALING

Always ensure that the kettle is disconnected from the mains before descaling. Scaling or furring is a common problem in hard water areas.

4.1.2. Fill the kettle to MAX position and boil the water. Remove the kettle from the power socket and the base unit and place it in an empty sink or bowl.

4.1.3. Add 50 grams of Citric Acid (available from chemists) or other descaler products (available at supermarkets) to the water or as directed.

4.1.4. Leave it to stand for approximately 5 minutes or until the effervescence subsides, and then empty the water. Rinse thoroughly, and wipe.

5. Anomalies and repair

- 5.1. Take the appliance to an authorised support centre if product is damaged or other problems arise.
- 5.2. If the connection to the mains has been damaged, it must be replaced and you should proceed as you would in the case of damage.

6. Additional warnings for kettles

- 6.1. The kettle and base (where applicable) must not be operated with any other models of kettle.
- 6.1.2. The kettle is fitted with a dry-operation cutout that switches off the kettle if it has boiled dry. If this happens allow the kettle to cool down for approximately 15 minutes, then fill the kettle with cold water. This will reset the cutout so that the kettle can be used again.
- 6.1.3. Do not overfill. Check the water level gauge when filling.
- 6.1.4. Never remove the cord from the kettle while in operation. Switch off the appliance first.
- 6.1.5. Ensure the lid is closed properly before switching on, to prevent water splashing out when boiling. Do not open the lid when boiling
- 6.1.6. After the kettle has boiled it may need a minute to cool down before restarting.
- 6.1.7. Take care when pouring. Pour slowly and do not over-tilt.
- 6.1.8. Make sure the kettle is always used on a flat

surface.

6.1.9. Water will remain hot for considerable time after boiling and will present a scalding hazard. Take care and keep away from children.

6.1.10. The outside surface of the kettle will become hot during use. To avoid injuries only hold the handle.

6.1.11. Take care to avoid contact with the steam coming from the lid or spout.

PRODUCT SPECIFICATION:

Voltage: 220-240V ~ 50Hz

Power: 1500-1800W

Water capacity: Minimum 0.9L – Maximum 2L

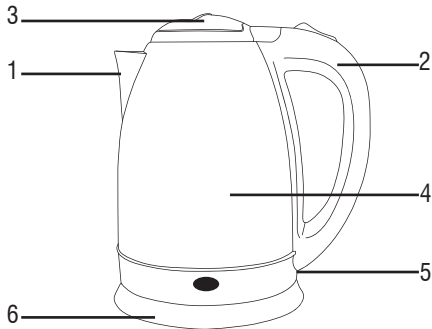


Trouble shooting guide

Problem	Reason	Action	Pre-caution
Kettle is leaking water	May be condensation.	This is normal if boiled a number of times in succession.	This kettle is for household use only.
	Kettle is over filled.	Pour water out to MAX level.	If overfilled water can eject from the kettle resulting in a hazard.
	Switch is sticking.	Ensure the switch is clean.	Keep appliance away from cooking splatter.
Kettle does not work	Household socket is off.	Switch on household socket.	Ensure water covers the element before operating.
	Household socket is not working.	Check the socket with another appliance	Appliance must be of similar wattage to prevent overloading.
	Kettle is not seated on base correctly.	Seat kettle on base correctly.	The life of the kettle will be reduced if not seated on base correctly.
Kettle trips mains power supply	Overloaded circuit.	Unplug all appliances attached to the same same circuit.	Note that there can be up to 5 household plug sockets on 1 circuit.
Kettle takes too long to boil	Element has lime scale deposits	Descal element using a proprietary descaler or citric acid solution. If not successful then a new element may be required.	Kettles with scale will have a reduced lifespan. Clean the scale regularly.
Kettle works intermittently	Element has lime scale deposits.	Descal element using a proprietary descaler or citric acid solution. If not successful then a new element may be required.	Kettles with scale will have a reduced lifespan. Clean the scale regularly.
Kettle is rusting on outside	Steam deposit has oxidised and turned into an orange colour.	Wipe your kettle after each use to keep dry.	Keeping any appliance clean at all times will extend the life of the product.
Element is rusting. Rust spots on element.	Water deposits on the element. Some areas have water that will result in orange or brown stains.	Some stains are stubborn and a descaler may not be effective. This should not affect funtion.	Use distilled water.
Kettle does not switch off automatically.	Lid not positioned correctly or is off.	Place lid on the kettle securely.	Ejecting steam from the spout or lid can be a hazard.

Geagte Klient,

Baie dankie vir u keuse om 'n Lucky handelsmerk produk te koop. Danksy die tegnologie, ontwerp, en werking en die feit dat dit voldoen aan die strengste gehalte standaarde, is u verseker van 'n volle bevreëdigende gebruik en lang produklewe.



1. Beskrywing

1. Water spuit
2. Handvatesl
3. Deksel
4. Ketel liggaam
5. Aan/Af skakelaar
6. Koordlose basis

2. Belangrike veiligheidsvoorsorg

Wanneer elektriese toestelle gebruik word, moet die basiese veiligheidsmaatreëls altyd gevolg word. Maak al die parte wat met kos in aanraking kom deeglik skoon voor gebruik.

2.1. Gebruik en werksomgewing:

- 2.1.1.** Hou die werk oppervlak skoon en helder verlig. Ongelukke gebeur in donker areas.
- 2.1.2.** Gebruik die produk in 'n goed geventileerde area.
- 2.1.3.** Moenie die toestel naby 'n warm gas of elektriese brander of 'n warm oond plaas nie.
- 2.1.4.** Streng toesig is nodig as die toestel naby of deur kinders gebruik word.
- 2.1.5.** Plaas toestel op 'n stabiele area en weg van water.
- 2.1.6.** 'n Brand mag ontstaan as die ketel bedek is of aan vlambare materiaal raak, insluitende gordyne as dit in werking is.

2.1.7. Die toestel is nie geskik om op aan 'n tydsbeheer toestel te Koppel nie.

2.1.8. Moenie die toestel gebruik as die koord of prop beskadig is.

2.1.9. Maak seker die spanning soos aangedui op die gradering etiket kom ooreen met die hoofspanning.

2.2.10. Prop in elektriese uitlaat.

2.1.11. Die toestel prop moet in die hoof prop pas en moenie die prop verander.

2.1.12. Indien 'n multi prop gebruik word maak seker die toestel se strome oorskry nie die gradering van die multi prop.

2.1.13. Moenie die toestel gebruik as die prop of koord beskadig is nie of enige sigbare skade aan die omhulsel is nie.

2.1.14. Moenie die toestel gebruik as dit op die vloer geval het en daar is sigbare skade.

2.1.15. Moenie die koord gebruik om die toestel te dra, op te tel of van die muurprop te ontkoppel nie.

2.1.16. Die koord mag nooit om die toestel gedraai word nie.

2.1.17. Moenie die koord plooi nie.

2.1.18. Die koord Moenie oor die kant van die tafel of toonbank hang of aan warm oppervlaktes raak nie.

2.1.19. Maak seker die koord is nie beskadig of verstrengel nie.

2.1.20. Die toestel moet nie buite gebruik word nie

2.1.21. Moenie die prop met nat hande hanteer nie.

2.2. Persoonlike veiligheid:

2.2.1. LET WEL: Moenie die toestel sonder toesig laat nie.

2.2.2. Moenie warm oppervlaktes aanraak nie. Gebruik handvatsels of knoppe want dit kan lei tot ernstige brandwonde.

2.2.3. Die toestel is nie geskik vir industriële gebruik soos kantore, hotelle motelle en gastehuisse.

2.2.4. Die toestel is nie geskik vir gebruik deur verminderd fisiese verstandelike vermoens of gebrek aan ervaring of kennis tensy hulle opleiding gehad het.

2.2.5. Die toestel is nie 'n speelding and kinders moet altyd toesig hê om te verhoed dat hulle met die toestel speel.

2.3. Gebruik en sorg:

2.3.1. Die kabel moet ten volle afgewikkel word voor gebruik.

2.3.2. Die toestel moet nie gebruik word as die parte

of bykomstighede nie behoorlik pas.

2.3.3. Die toestel moet nooit leeg gebruik word nie.

2.3.4. Die Toestel moet nooit gedraai word terwyl dit in werking is of in die muurprop gekoppel is.

2.3.5. Die kook oppervlakte moet nooit toegemaak word me foelie of soortgelyke materiaal.

2.3.6. Ontkoppel die toestel van die hooftoevoer as dit nie in gebruik is nie en laat dit heeltemal afkoel voordat dit skoonmaak word. As dele afgehaal word of toegevoeg word, moet die toestel nie in werking wees nie.

2.3.7. Die toestel moet buite bereik van kinders gestoor word.

2.3.8. Die toestel moet heeltemal afkoel voor dit gestoor word.

2.3.9. Die toestel moet altyd onder toesig wees wanneer in gebruik en moet buite bereik van kinders gehou word.

2.3.10. As die toestel aan die brand slaan, ontkoppel van die muursok en gooi n kombuis vadoek oor. **MOET NOOIT WATER GEBRUIK!!!**

2.4. Diens:

2.4.1. Die toestel moet deur `n gekwalifiseerde tegnikus gediens word.

2.4.2 As die koord beskadig word moet dit deur die diensagent of `n gekwalifiseerde persoon vervang word om brandgevaar te verhoed.

2.4.3. Enige misbruik en mislukking om instruksies te volg lewer die waarborg nul en leemte.

3. Instruksies vir gebruik

3.1. Voor gebruik:

3.1.1. Verwyder die toestel se beskermende laag. (indien toepaslik)

3.1.2. Voor die toestel vir die eerste keer gebruik word maak alle parte skoon wat met kos in aanraking kom soos voorgeskryf in skoonmaak artikel.

3.2. Hoe om die ketel te gebruik:

3.2.1. Maak die deksel van die ketel oop en vul met gelangde hoeveelheid water. (Min. kapasiteit is 0.5L en max. kapasiteit is 1.7L).in harde water gebiede gebruik gesuiwerde of gefiltreerde water om die opbou van kalk te verhoed. (let wel: Jy kan die ketel volmaak deur die tuit maar wees versigtig om nie oorvol te maak. Gebruik die water indikasie om seker te maak).

3.2.2. Maak die deksel toe tot dit in posisie klip.

Plaas die ketel op die basis en prop in Elektries uitlaat.

3.2.3. Om die ketel aan te sit, druk die aan/af knoppie na posisie 1. (BELANGRIK: Moenie te veel druk op die knoppie plaas nie). Die ketel sal automaties afskakel as die kooktyd verstryk het. Die kooktyd kan enige tyd onderbreek word deur die aan/af knoppie na posisie 0 te druk.

3.2.4. Gooi die water stadig en versigtig. As U die water weer wil kook laat die ketel afkoel vir `n minuut.

3.2.5 Waarskuwing: Na kook is die ketel vol stoom wat sal uitkom as die deksel opgelig word.

3.2.6 Belangrik: Moenie die deksel oopmaak as stoom by die tuit uitkom. Voordat begin om water uit die ketel te gooi of om vol te maak ontkoppel van die muurprop.

3.2.7 Let Wel: Die ketel sal automaties afsit as daar nie water in is nie as gevolg van `n droog kook funksie in die ketel. Wag ± 15 minute vir die element om af te koel, maak vol water en gebruik. Die droog kook funksie is nie ontwerp vir normale gebruik nie en sal die lewensyd van die element verkort. As die ketel oorvol gemaak word sal kokende water by die tuit uitkom. Die ketel mag net gebruik word met die basis wat voorsien word (koordlose modelle). Die toestel mag nie in water gedruk word tydens skoonmaak.

3.3 Na gebruik:

3.3.1. Laat die toestel afkoel.

3.3.2. Ontkoppel van muursok.

3.3.3. Maak die toestel skoon soos voorgeskryf in skoonmaak artikel.

4.Sorg en skoonmaak

4.1.1. Ontkalking

Verseker die ketel is ontkoppel van die muurprop voor ontkalking begin. Skalering is `n probleem in hardewater gebiede.

4.1.2. Ontkoppel die ketel van die muurprop en plaas in `n lee houer. Maak die ketel vol water tot by die maximum posisie.

4.1.3. Voeg 50gram sitroensuur (beskikbaar by apteke en sekere kleinhandelaars) by die water soos voorgeskryf.

4.1.4. Laat die sitroensuur toe om te werk vir 5 minute of tot die kook bedaar. Gooi die water uit en spoel deegklik en vee skoon.

5. Anomalies and herstel

5.1. Neem die toestel na gemagtigde tegniese sen



trum as toestel beskadig is of probleme ontstaan.

5.2. As koneksie na die muurprop beskadig is moet die toestel vervang word volgens waarborg.

6. Addisionele waarskuwing vir ketels

6.1. Die ketel en die basis (waar van toepassing) moet nie saam ander tipe ketels gebruik word nie.

6.1.2. Die ketel sal automaties afsit as daar nie water in is nie as gevolg van 'n droog kook funksie in die ketel. Wag ± 15 minute vir die element om af te koel, maak vol water en gebruik.

6.1.3. Moenie die ketel oorvol maak nie.

6.1.4. Moet nooit die koord van die ketel verwyder teryl dit gebruik word nie. Skakel die toestel eers af.

6.1.5. Verseker die deksel is behoorlik toe voor die ketel aangeskakel word om te verhoed dat warm water uitspat wanneer die ketel kook. Moenie die deksel oopmaak tydens die kookproses.

6.1.6. Die ketel moet afkoel voordat dit weer gekook kan word.

6.1.7. Wees versigtig wanneer water uitgegooi word.

6.1.8. Die moet ketel op 'n plat, stabiele area gebruik word.

6.1.9. Die water sal vir 'n aansienlike tyd warm bly na dit gekook het en kan brand. Wees versigtig en hou weg van kinders.

6.1.10. Die ketel liggaam sal baie warm word tydens gebruik. Om beserings te voorkom hou by die handvatsel vas.

6.1.11. Wees versigtig vir die stoom wat uit die deksel en tuit kom.

Produk spesifikasies:

Spanning: 220-240 V ~ 50-60Hz

krag: 1500-1800W

Water Kapasiteit: Minimum 0.9L – Maksimum 2L

Foutopsporings gids

Probleem	Rede	Aksie	Beleid
Ketel lek water	Kan kondensasie wees	Dis normaal as ketel na mekaar gekook word.	Die ketel is vir huishoudelike gebruik alleen
	Ketel is oorvol	Gooi van die water uit na die max vlak	Warm water kan by die tuit uitkom as die ketel oorvol is en `n brand gevaar wees
	Aan/af knoppie sit vas	Maak seker die knoppie is skoon	Hou toestel weg van kook area
ketel werk nie	Maak seker muursok is aan	Skakel muursok aan	Maak seker die ketel element is toe onder water
	Muursok werk nie	Toets met `n ander toestel	Toestel moet soortgelyke krag wees om te verhoed dat oorlading plaasvind.
	Ketel is nie op die basis	Sit stewig op basis	Die ketel moet korrek op die basis geplaas word
Ketel skop hoof kragbron uit	Kring is oorlaai	Ontkoppel alle toestelle op dieselfde kring	Let wel daar kan tot 5 huishoudelike proppe op een kring wees
Ketel vat lank om te kook	Element het kalk	Ontkalk soos in handleiding	Ketels met kalk het `n korter lewensduurte. Ontkalk gereeld
Ketel werk met tussenposes	Element het kalk	Ontkalk soos in handleiding	Ketels met kalk het `n korter lewensduurte. Ontkalk gereeld
Ketel roes aan buitekant	Stoom het geoksideer en in oranje kleur verander	Maak ketel met `n sagte doek droog na gebruik	Hou toestelle ten alle tye skoon
Element roes	Water in sekere gebiede los oranje of bruin kolle	Ontkalk soos in handleiding	Hou toestelle ten alle tye skoon
Ketel skakel nie automa-ties af	Deksel is nie in regte posisie of is af	Maak seker deksel is in regte posisie	Stoom wat uit die deksel en tuit kom kan brandwonde veroorsaak



Lucky guarantees that this product has been thoroughly inspected and tested before being dispatched and is free from mechanical and electrical defects and complies with the applicable safety standards. However, should defects due to faulty material or workmanship develop, under normal domestic use, within 6 months from the date of purchase please return the product to the store from where it was purchased for a full refund or replacement.

The following conditions apply:

- 1) Please ensure you retain your receipt as this must be presented when making a claim under the terms of the warranty. It is impossible to determine the warranty period without proof of purchase, so please keep this in a safe place.
- 2) If a refund or exchange is required the product must be complete with all accessories, parts and packaging. Missing parts will render the warranty void.
- 3) Upon receipt of your appliance check it for any transport damage to ensure it is safe for use. Return it to the store as soon as possible for exchange if damaged. The warranty is void if products are damaged after use, so please do not use the damaged product.
- 4) Your product is designed for normal domestic household use. Failure to read and comply with the instructions for use, cleaning and maintenance will render your warranty void, so please read these instructions carefully to ensure your safety, and get the most effective use from the product. (e.g. lime scale; water deposits; and/or insect infestation)
- 5) Any abuse, negligent, improper or accidental use or care will render the warranty void and Creative Housewares (Pty) Ltd will not be liable for any loss or damage.
- 6) Any attempted repair, or replacement of unauthorised parts will render the warranty void, so please contact an authorised service centre or agent for any service or repair requirements.

Extended 12 Month Limited Warranty

Lucky offer an extended 12 month limited warranty from the date of purchase to offer the consumer peace of mind on their purchase. Should defects due to faulty material or workmanship develop, under normal domestic use, within 12 months from the date of purchase, please return the product to the store from where it was purchased for replacement.

Before returning your product, check for the following:

- 1) Your household mains supply socket is working and switched on.
- 2) The mains supply circuit is not overloaded (White trip switch on your DB board is off).
- 3) You have read the trouble shooting guide in your Instructions for Use.
- 4) All accessories and parts are present.

If service or repair becomes necessary outside the warranty period, this service is still available however all transport/postage, spares and labour costs will be paid by the consumer. All chargeable repairs will require the consumers' approval in writing once the quote is accepted. Once the go-ahead has been received Lucky will undertake to conduct the repair within a reasonable time and maintain the condition of the product as received.

All repairs carry a 3 month warranty. Lucky will attempt to conduct repairs within reasonable industry standards but cannot be held responsible or liable for any circumstances not under their direct control.

National Service Centre: 086 111 5006

e-mail: help@creativehousewares.co.za

creative housewares

web: www.creativehousewares.co.za

Cape Town

20 Tekstiel Street, Parow, Cape
Town, 7493, South Africa • P.O. Box
6156 Parow East, 7501, South Africa
Tel: +27 21 931 8117
Fax: +27 21 931 4058

Durban

35 Adrain Road, Windermere,
Durban, South Africa, 4001
Tel: +27 31 303 3465
Fax: +27 31 303 8259

Johannesburg

Unit 25 & 26 San Croy
Officepark, Die Agora Road,
Croydon, 1619
Tel: +27 11 392 5652
Fax: +27 11 392 1694

1 year warranty



Lucky waarborg dat hierdie produk deeglik nagegaan en getoets is voordat dit versend is en is vry van meganiese en elektriese afwykings is en voldoen aan die toepaslike veiligheidsstandaarde. Indien gebreke weens foutiewe materiaal of vakmanskap egter onder normale huishoudelike gebruik binne 6 maande vanaf die aankoopdatum ontwikkel word, moet u die produk terugstuur na die winkel waar dit gekoop is vir volle terugbetaling of vervanging.

Die volgende voorwaardes geld:

- 1) Maak asseblief seker dat u die kwitansie behou, aangesien dit aangebied moet word wanneer u 'n eis maak onder die voorwaardes van die waarborg. Dit is onmoontlik om die waarborgtydperk te bepaal sonder bewys van aankoop. Hou dit asseblief op 'n veilige plek.
- 2) Indien 'n terugbetaling of omruil benodig word, moet die produk volledig wees met alle bykomstighede, onderdele en verpakking. Ontbrekende dele sal die waarborg ongeldig maak.
- 3) 3) By ontvangs van u toestel, moet u dit nagaan vir enige vervoerskade om te verseker dat dit veilig is vir gebruik. Stuur dit so spoedig moontlik na die winkel vir ruil indien dit beskadig is. Die waarborg is nieig indien produkte na gebruik beskadig word. Gebruik asseblief nie die beskadigde produk nie.
- 4) U produk is ontwerp vir normale huishoudelike gebruik. Versuim om te lees en te voldoen aan die gebruiksaanwysings, skoonmaak en instandhouding sal u waarborg ongeldig maak. Lees asseblief hierdie instruksies sorgvuldig om u veiligheid te verseker en die beste gebruik van die produk te verkry. (Bv. Kalk, waterafsettings, en / of insekbesmetting)
- 5) Enige misbruik, nalatige, onbehoorlike of toevallige gebruik of versorging sal die waarborg ongeldig maak en Creative Housewares (Edms) Bpk sal nie aanspreeklik wees vir enige verlies of skade nie..
- 6) Enige poging tot herstel of vervanging van ongemagtigde dele sal die waarborg ongeldig maak. Kontak asseblief 'n gemagtigde dienssentrum of agent vir enige diens- of herstelbehoefte.

Uitgebreide 12 maande beperkte waarborg

Lucky bied 'n verlengde 12 maande beperkte waarborg vanaf die aankoopdatum aan om die verbruiker gemoedsrus by hul aankoop aan te bied. Indien gebreke weens foutiewe materiaal of vakmanskap onder normale huishoudelike gebruik binne twaalf maande vanaf die datum van aankoop ontwikkel, moet u die produk terugstuur na die winkel waar dit gekoop is vir vervanging.

Voordat u die produk terugbesorg, kyk na die volgende:

- 1) Jou huishoudelike krag toevoer werk en is aangeskakel.
- 2) Die kragtoevoerstroombaan is nie oorlaai nie (Wit ritskakelaar op jou DB-kaart is af).
- 3) U het die probleem gids gelees in u gebruiksaanwysings.
- 4) Alle bykomstighede en onderdele is teenwoordig.

As diens of herstel buite die waarborgperiode nodig word, is hierdie diens nog beskikbaar, maar alle vervoer / posgeld, onderdele en arbeidskoste sal deur die verbruiker betaal word. Alle vergoedbare herstelwerk sal die verbruikers se goedkeuring skriftelik vereis sodra die kwotasie aanvaar word. Sodra die gaan voort ontvang is, sal Lucky onderneem om die herstel binne 'n redelike tyd te doen en die toestand van die produk te behou soos ontvang.

Alle herstelwerk dra 'n 3 maande waarborg. Lucky sal pogg om herstelwerk te doen binne redelike bedryfsstandaarde, maar kan nie aanspreeklik gehou word vir enige omstandighede wat nie onder hulle direkte beheer is nie.

National Service Centre: 086 111 5006

e-mail: help@creativehousewares.co.za

creative housewares

web: www.creativehousewares.co.za

Cape Town

20 Tekstiel Street, Parow, Cape Town, 7493, South Africa
P.O. Box 6156 Parow East, 7501, South Africa
Tel: +27 21 931 8117 Fax: +27 21 931 4058

Johannesburg





9 Hamburg Road, Aeroport, Spartan,
Johannesburg, South Africa
Tel: +27 11 392 5652 Fax: 086 567 9222

1 jaar waarborg



Durban
35 Adrain Road, Windermere,
Durban, South Africa, 4001
Tell: +27 31 303 3465
Fax: +27 31 303 8259

creative housewares

 20 Tekstiel St, Parow, Cape Town, 7493, RSA
 P.O. Box 6156 Parow East, 7501, RSA
 +27 21 931 8117  +27 21 931 4058
Service Centre Helpline: 086 111 5006
 www.creativehousewares.co.za

Johannesburg
Unit 25 & 26 San Croy Office Park
Die Agora Road, Croydon, 1619
Tell: +27 11 392 5652
Fax: +27 11 392 1694

